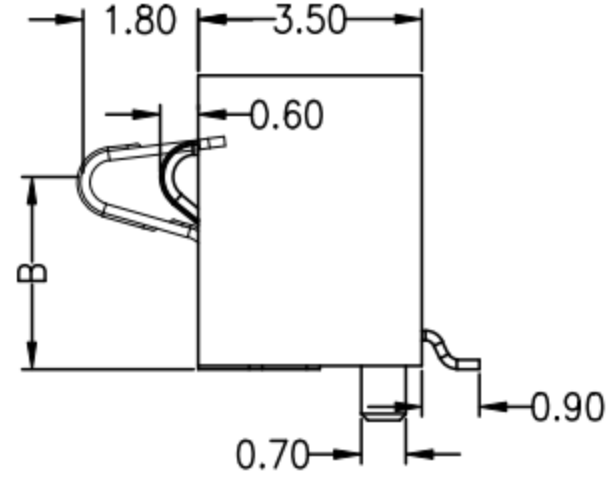
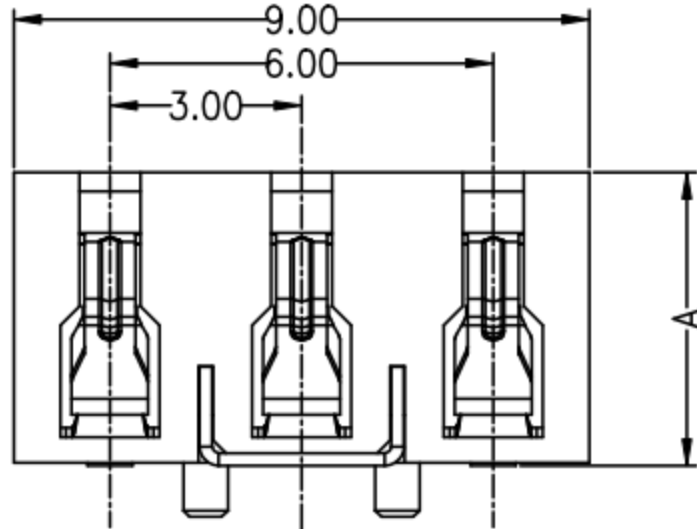
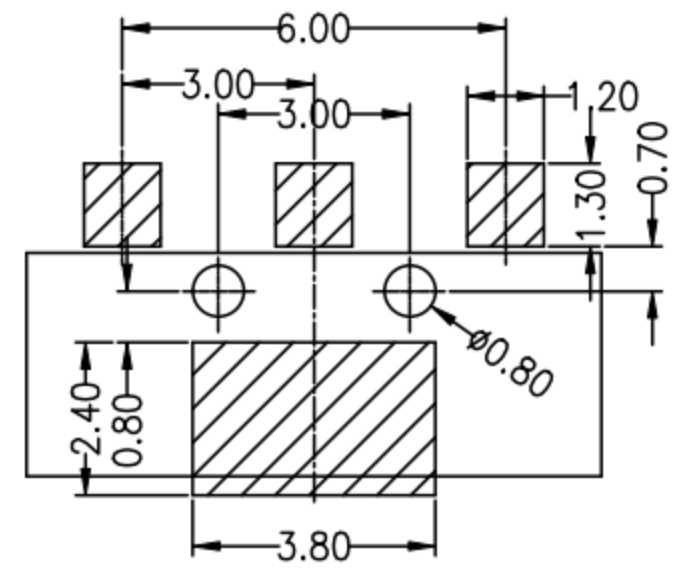
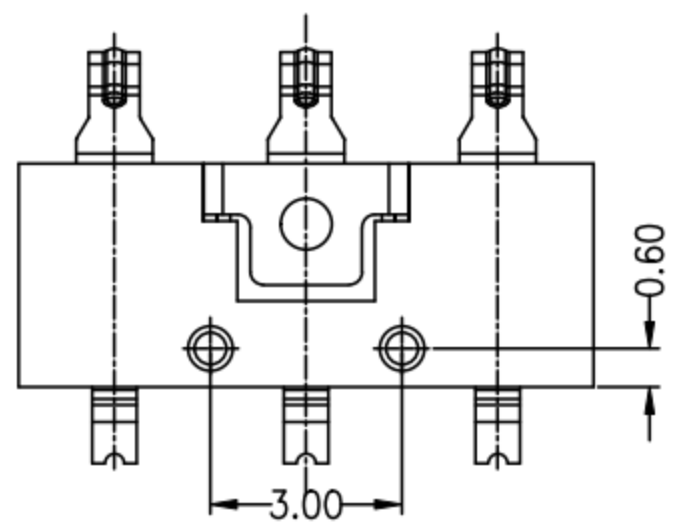


REV.	ECN NO.	DESCRIPTION	DESIGN	DATE
A		INITIAL	Kai	2018.03.29



A	B
4.60	3.00
5.00	3.40
5.40	3.80
6.00	4.40
6.80	5.20
7.20	5.60



RECOMMENDED PCB LAYOUT  
TOL:( $\pm 0.05$ )

性能:  
 额定电流: 3.0A  
 额定电压: 24V  
 耐电压: 500V  
 接触电阻: 30m $\Omega$  MAX  
 绝缘电阻: 500M $\Omega$   
 工作温度: -40 $^{\circ}$ C ~ +85 $^{\circ}$ C  
 塑件(材质): LCP, 耐高温260 $^{\circ}$ C  
 接触点(材质): 铜合金, 触点镀金3U'

UNLESS OTHERWISE SPECIFIED TOLERANCES

DECIMALS:		ANGLES:	
DIM	TOL	DIM	TOL
X.	$\pm 0.50$	X.	$\pm 2'$
X.X	$\pm 0.30$	X.X	$\pm 1'$
X.XX	$\pm 0.20$	X.XX	
X.XXX	$\pm 0.10$	X.XXX	

## 东莞市高迪电子有限公司

DWG NO.	PART NAME:
DESIGN:	PART NO.
CHECK:	REV. A
APPROVED	UNIT: mm
	SHEET: 1/1

ITEM	PART NAME	Q'TY	MATERIAL	DESCRIPTION	REMARK
②	HOUSING	1	LCP		BLACK
①	CONTACT A	2	PHOSPHOR BRONZE 0.20T	Au PLATED	